

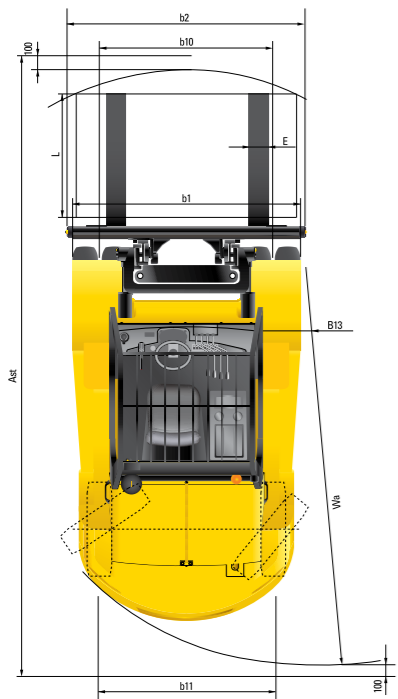
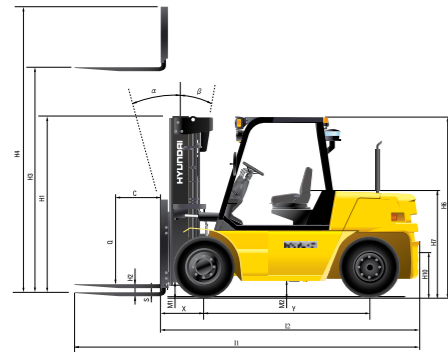


## شرکت آسان راه البرز

با 40 سال تجربه در زمینه ی واردات ماشین آلات معدنی، راهسازی و صنعتی و با استفاده از مدیران خبره، کارشناسان مجرب و پرسنل با تجربه آموزش دیده از فعالترین شرکت های تجاری در ایران می باشد. این شرکت در سال 1389 موفق به اخذ نمایندگی رسمی از شرکت هیوندای کره جنوبی و نمایندگی انحصاری محصولات اوردایم برای واردات، فروش و خدمات پس از فروش ماشین آلات سنگین، راهسازی، معدنی و صنعتی در ایران گردید.

این شرکت با توجه به نیاز مشتریان و محیط های کاری موجود اقدام به واردات انواع ماشین آلات راهسازی از قبیل لودر چرخ لاستیکی، بیل هیدرولیکی چرخ لاستیکی و چرخ زنجیری و انواع لیفتراک با بازه تناژی بالا و انواع چکش های هیدرولیکی و انواع ژنراتورهای برق (دیزلی و دوگانه سوز) نموده است و هر دوره با توجه به درخواستها بر تنوع محصولات خود اضافه میکند.

## Dimension



## Specification

Identification					
1.1	Manufacturer		Hyundai	Hyundai	Hyundai
1.2	Manufacturer's type designation		50DF-7	60DF-7	70DF-7
1.3	Drive: electric (battery or mains), diesel, petrol, fuel gas, manual		DIESEL	DIESEL	DIESEL
1.4	Type of operation: hand, pedestrian, standing, seated, order-picker		seated	seated	seated
1.5	Load capacity / rated load	kg	5,000	6,000	7,000
1.6	Load center distance	c(mm)	600	600	600
1.8	Load distance, center of drive axle to fork	x(mm)	615	615	615
1.9	Wheelbase	y(mm)	2,300	2,300	2,300
Weights					
2.1	Service weight	kg	8,382	9,245	9,871
2.2	Axle loading, loaded front/rear	kg	12,027 / 1,356	13,573 / 1,673	14,964 / 1,907
2.3	Axle loading, unloaded front/rear	kg	4,385 / 3,997	4,403 / 4,842	4,260 / 5,604
Wheels, Chassis					
3.1	Tires: solid rubber, superelastic, pneumatic, polyurethane		pneumatic	pneumatic	pneumatic
3.2	Tires size, front (Φ x width)		8.25 - 15	8.25 - 15	8.25 - 15
3.3	Tires size, rear (Φ x width)		8.25 - 15	8.25 - 15	8.25 - 15
3.5	Wheels, number front x rear (x=driven wheels)		4 x 2	4 x 2	4 x 2
3.6	Track width, front	mm	1,578	1,578	1,578
3.7	Track width, rear	mm	1,602	1,602	1,602
Basic Dimensions					
4.1	Mast / fork carriage tilt forward / backward (α/β)	degrees	15 / 10	15 / 10	15 / 10
4.2	Lowered mast height	h1 (mm)	2,515	2,515	2,515
4.3	Free lift	h2 (mm)	140	140	140
4.4	Lift height	h3 (mm)	3,030	3,030	3,030
4.5	Extended mast height	h4 (mm)	4,320	4,320	4,320
4.7	Overhead guard height	h5 (mm)	2,523	2,523	2,523
4.8	Seat height / standing height	h7 (mm)	1,464	1,464	1,464
4.12	Coupling height	h10 (mm)	385	385	385
4.19	Overall length	l1 (mm)	4,705	4,760	4,815
4.20	Length to face of forks	l2 (mm)	3,505	3,560	3,615
4.21	Overall width	b1 (mm)	2,087	2,087	2,087
4.22	Fork dimensions (hook type)	s / e / l (mm)	60 x 150 x 1,200	65 x 150 x 1,200	65 x 150 x 1,200
4.23	Fork carriage ISO 2328, class / type A,B		Class IV	Class IV	Class IV
4.24	Fork-carriage width	b2 (mm)	2,068	2,068	2,068
4.31	Ground clearance, loaded, under mast	m1 (mm)	195	195	195
4.32	Ground clearance, centre of wheelbase	m2 (mm)	215	215	215
4.33	Aisle width for pallets 1,000x1,200 crossways (LxW)	Ast (mm)	5,164	5,211	5,257
4.34	Aisle width for pallets 800x1,200 lengthways (WxL)	Ast (mm)	5,364	5,411	5,457
4.35	Turning radius	Wa (mm)	3,349	3,396	3,442
4.36	Smallest pivot point distance	mm	1,224	1,224	1,224
Performance Data					
5.1	Travel speed, unloaded	km/h	22.8	22.7	22.7
5.2	Lift speed, loaded / unloaded	mm/s	440 / 460	430 / 460	420 / 460
5.3	Lowering speed, loaded / unloaded	mm/s	500 / 450	500 / 450	500 / 450
5.5	Drawbar pull, loaded	kg	6,660	6,687	6,720
5.7	Gradient performance, loaded / unloaded	%	50.3 / 28.7	43.1 / 26.1	38.5 / 23.6
5.9	Acceleration time, loaded / unloaded (10m)		-	-	-
5.10	Service brake		FOOT (Hydraulic)	FOOT (Hydraulic)	FOOT (Hydraulic)
Engine					
6.1	Engine manufacturer / type		HMC D4DD	HMC D4DD	HMC D4DD
6.2	Engine power acc. to ISO 1585	kW	73.6	73.6	73.6
6.3	Rated speed	1/min	2,300	2,300	2,300
6.4	No. of cylinder / cubic capacity	cm <sup>3</sup>	3,907	3,907	3,907
6.5	Fuel consumption acc. To VDI cycle	l/h	3.9	4.1	4.35
Other Details					
8.1	Type of drive control		Power shift	Power shift	Power shift
8.2	Operating pressure (system / attach)	bar	185 / 150	185 / 150	185 / 150
8.3	Oil volume (hydraulic)	l	105	105	105
8.4	Noise (at driver's ear according to DIN 12 053)	db(A)	84.1	84.1	84.1



■ Some of the photos may include optional equipment.

We build a better future

HYUNDAI DIESEL FORKLIFT TRUCKS Applied Tier 3 Engine

# 50DF/60DF/70DF-7

**HYUNDAI**  
HEAVY INDUSTRIES CO., LTD.  
FORKLIFT

Head Office (Sales Office)  
14th FL., HYUNDAI BLDG. 140-2, KYE-DONG, JONGNO-GU, SEOUL, KOREA 110-793  
TEL: (82) (2) 746-4505, 4609 FAX: (82) (2) 746-7444-7445

Americas Operation: Hyundai Construction Equipment Americas, Inc.  
6100 ATLANTIC BOULEVARD NORCROSS GA 30071 U.S.A TEL: (1)847-678-823-7802 FAX: (1)847-678-823-7778

Europe Operation: Hyundai Heavy Industries Europe N.V.  
VOSSENDAAL 11, 2440 GEEL, BELGIUM TEL: (32) 14-56-2200 FAX: (32) 14-59-3405



PLEASE CONTACT

www.hyundai-ce.com

2013. 01 Rev.1

**HYUNDAI**  
HEAVY INDUSTRIES CO., LTD.



**50/60/70DF -7**

**New criterion of Forklift Trucks**

Hyundai introduces a new line of diesel forklift trucks. Excellent power and performance make your business more profitable.



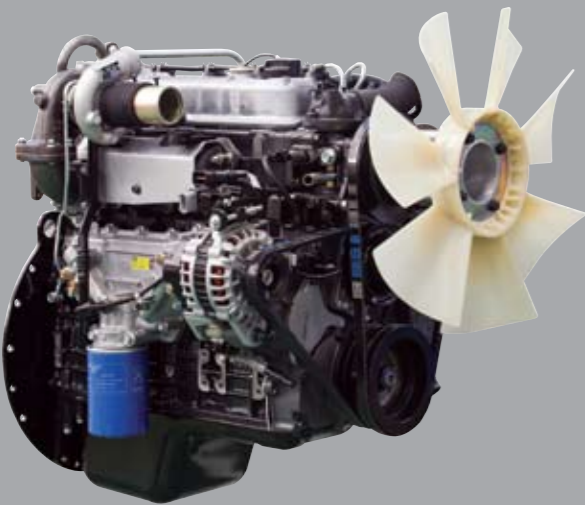
■ Some of the photos may include optional equipment.



# High Power & Performance

## Powerful Engine HMC D4DD Engine

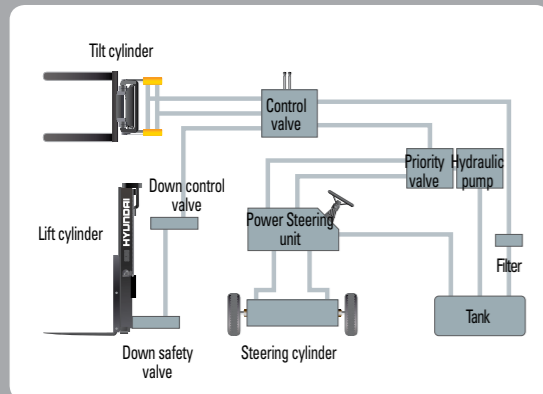
Market approved quality of HMC D4DD engine ensures incomparable performance, durability and excellent fuel efficiency. This engine meets EPA Tier-III and EU stage IIIA emission regulations.



**73.6kW/2,300rpm**  
**38kgf.m/1,600rpm**

## State-of-the-art hydraulic system

The latest large-capacity hydraulic system reacts quickly during operation, and a low-noise control valve increases both efficiency and durability.



## The new master on the job-site!

Smooth running, efficient and ergonomically designed, 50DF/60DF/70DF-7 series are made to meet your needs.



Some of the photos may include optional equipment.



## Fast and stable performance

Being able to quickly raise and lower the mast, as well as tilt it forward and backward, providing the best operational conditions during unloading. When the truck is fully loaded, mast lowering speed is carefully controlled to ensure safety by the down control valve.

## Faster travel speed & gradeability

The powerful high-output engine provides greater acceleration, better gradeability and faster travel speed on any tough terrain or slope.



## Increased mast tilting angle

The mast tilting angle of 15 degrees forward and 10 degrees backward, the operator can safely and rapidly perform loading and unloading jobs.



## Wet disc brake system

The wet disc brake system is virtually maintenance free and is enclosed to protect from dust and water.



## Fully hydrostatic power steering

A hydraulic steering system always guarantees smooth and flexible steering, preventing overrun and kick-back.



## OPSS (Operator Presence Sensing System)

Control of mast tilting, lifting and lowering is not possible through operation of the appropriate control when the operator is not in the normal position. (Option)



## Comfortable Operation



### Adjustable steering wheel

Steering wheel with horn button can be adjusted by a lever on the right-hand side for the most comfortable operator position.



### Easy and safe shift lever

A single lever on the left side of the steering column gives the operator fast and easy controls of the direction.



### Multi-function switch lever

Multi-functional switch lever gives easy access to lights and horn.



### Quick response of operating control levers

Only minimal operator's effort is required for precise, safe and productive control.



■ Some of the photos may include optional equipment.

## Ergonomically designed with the operator in mind!

A design based on human engineering relieves fatigue and increases operator's efficiency.



### Ergonomically positioned pedals

Based on human engineering, the accelerator, brake and inching pedals are optimally positioned for convenience while operating the equipment.



### Cup holder & console box

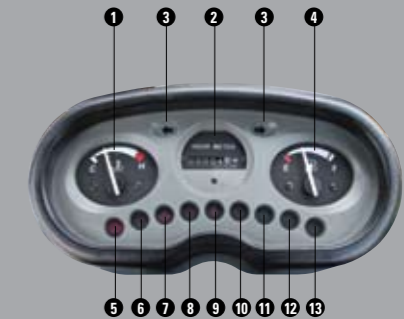
Additional storage spaces are located inside the operating space for operator's convenience.



### New high visibility for safe operation

The operator is able to work with increased safety and accuracy due to a wider view mast.

## Operator friendly gauges and water-resistant monitor panel



- |                               |                                 |
|-------------------------------|---------------------------------|
| 1 Water temperature gauge     | 8 T-mission oil temp warning    |
| 2 Hour meter                  | 9 Battery charging warning lamp |
| 3 Turn lamp                   | 10 Air-cleaner warning          |
| 4 Fuel gauge                  | 11 Head lamp                    |
| 5 Parking brake lamp          | 12 Work lamp                    |
| 6 Fuel empty warning lamp     | 13 Engine preheating            |
| 7 Engine oil pressure warning |                                 |

## Easily adjustable suspension seat

An attractive and adjustable seat, based on a human engineering design, provides great comfort, safety and durability.



## Full floating overhead guard mount

The anti-vibration rubber is installed between the guard and truck frame to reduce the source of vibration and noise while driving. This not only reduces operator's fatigue but also increases safety.





Endurance & Safety

**Strong overhead guard**

The safety overhead guard exceeds EEC and ANSI regulations and protects the operator during hazardous jobs.



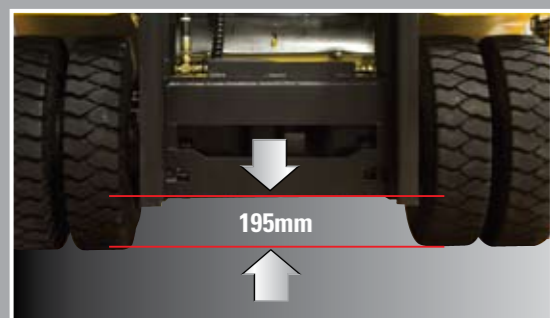
**Parking brake**

Toggle type parking brake requires less efforts from the operator to set.



**Ground clearance**

The engine and transmission are assembled horizontally and positioned high in the frame to protect expansive components during operation on rugged surface.



**Highly durable split type drive axle**

The durable drive axle provides fast travel speed and quiet travel under any heavy load condition, and boosts work efficiency.



*Enhanced safety through high durability!*

Safety and durability are priorities in the design of the equipment.

■ Some of the photos may include optional equipment.



**Large footboard & hand grip**

Wide "open" step offers convenience and safety when entering and exiting truck.



**Heavy duty single unit frame**

Heavy duty single unit type frame, designed on the basis of accurate structural analysis, guarantees durability and safety.



**Easy access of electrical Components**

Various electric parts are centralized in dash board resulting in improvement in maintenance.



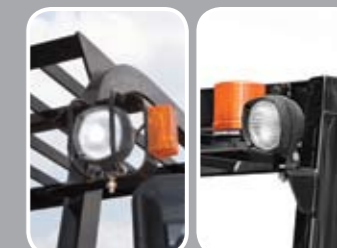
**Expansion bellows**

The expansion bellows absorbs vibration and reduces noise generated from the exhaust gas system and also extends the life cycle of exhaust gas system.



**Fuel tank safety valve**

Integrated safety check valve shuts off fuel supply in the unlikely condition of a truck overturn.



**Bright, protected headlights and rear working light**

Bright, protected headlights and rear working light are positioned for exceptional visibility.



## Centralized design for easy service!

An ideal arrangement of component parts ensures easy accesses and conveniences for the maintenance.



### Electrically monitored air filter

Air cleaner sensor alerts the operator of a restricted air filter and allows replacement before damage.



### Visible pre-cleaner

Efficient, accessible pre-cleaner provides for longer engine life.

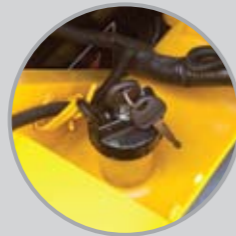


### Brake fluid reservoir

Highly visible, easily accessible reservoir makes for quicker daily inspections.



### An accessible, compact fuse box for easy inspection



### Key-locking fuel cap with air vent



### Automatic self locking gas spring

Engine compartment hood is held safely open by a self locking gas spring.



### Large tool box

Additional tool box located in machine side for operator's convenience.



### Easy change air cleaner

The air filter is readily accessible for cleaning or replacement.



### Large open engine hood

Highly accessible engine compartment assures fast and efficient maintenance.



### Engine oil condition check



### Easy-to-access reservoir tank



### Maintenance free battery



### Easy-to-change radiator

■ Some of the photos may include optional equipment.



### Mechanic friendly fuel filter replacement



Specification

Mast Specification

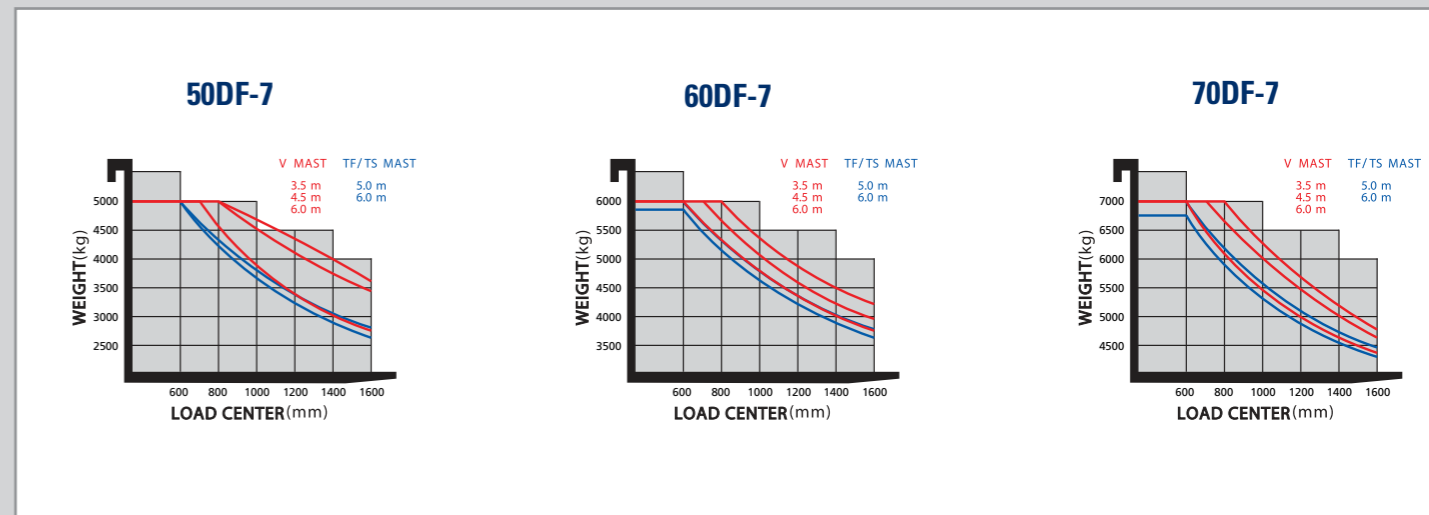
Model	Mast Type	Maximum Fork Height (mm)	Overall Height(mm)				Free Lift (mm)		Tilt Angle (deg)		Load Capacity without side shift at 600mm LC(kg)	Load Capacity with side shift at 600mm LC(kg)	Truck Weight (Unloaded)(kg)
			Lowered	Extended		Without Load Backrest	With Std Load Backrest	Fwd	Bwd				
				W/o Load Backrest	W/Std Load Backrest								
50DF-7	2 Stage limited free lift	V270	2,730	2,365	3,691	4,020	140	140	15	10	5,000	5,000	8,555
		*V300	3,030	2,515	3,991	4,320	140	140	15	10	5,000	5,000	8,602
		V330	3,330	2,665	4,291	4,620	140	140	15	10	5,000	5,000	8,650
		V350	3,530	2,765	4,491	4,820	140	140	15	10	5,000	5,000	8,682
		V370	3,730	2,865	4,691	5,020	140	140	15	10	5,000	5,000	8,714
		V400	4,030	3,015	4,991	5,320	140	140	15	10	5,000	5,000	8,770
		V450	4,530	3,315	5,491	5,820	140	140	15	10	5,000	5,000	8,997
		V500	5,030	3,565	5,991	6,320	140	140	15	10	5,000	5,000	9,077
		V550	5,530	3,815	6,491	6,820	140	140	15	10	5,000	5,000	9,156
		V600	6,030	4,065	6,991	7,320	140	140	15	10	5,000	4,950	9,235
3 Stage full free lift	TF450/TS450	4,560	2,565	5,545	5,805	1,580	1,275	15	10	5,000	5,000	9,189	
	TF500/TS500	5,060	2,765	6,045	6,305	1,780	1,475	15	10	5,000	5,000	9,281	
	TF560/TS560	5,600	2,965	6,585	6,845	1,980	1,675	15	10	5,000	4,850	9,392	
	TF600/TS600	6,060	3,165	7,045	7,305	2,180	1,875	15	10	5,000	4,700	9,479	

Model	Mast Type	Maximum Fork Height (mm)	Overall Height(mm)				Free Lift (mm)		Tilt Angle (deg)		Load Capacity without side shift at 600mm LC(kg)	Load Capacity with side shift at 600mm LC(kg)	Truck Weight (Unloaded)(kg)
			Lowered	Extended		Without Load Backrest	With Std Load Backrest	Fwd	Bwd				
				W/o Load Backrest	W/Std Load Backrest								
60DF-7	2 Stage limited free lift	V270	2,730	2,365	3,911	4,020	140	140	15	10	6,000	6,000	9,197
		*V300	3,030	2,515	4,211	4,320	140	140	15	10	6,000	6,000	9,245
		V330	3,330	2,665	4,511	4,620	140	140	15	10	6,000	6,000	9,292
		V350	3,530	2,765	4,711	4,820	140	140	15	10	6,000	6,000	9,324
		V370	3,730	2,865	4,911	5,020	140	140	15	10	6,000	6,000	9,356
		V400	4,030	3,015	5,211	5,320	140	140	15	10	6,000	6,000	9,412
		V450	4,530	3,315	5,711	5,820	140	140	15	10	6,000	6,000	9,640
		V500	5,030	3,565	6,211	6,320	140	140	15	10	6,000	5,950	9,719
		V550	5,530	3,815	6,711	6,820	140	140	15	10	6,000	5,750	9,799
		V600	6,030	4,065	7,211	7,320	140	140	15	10	6,000	5,600	9,877
3 Stage full free lift	TF450/TS450	4,560	2,565	5,765	5,805	1,360	1,275	15	10	6,000	5,850	9,848	
	TF500/TS500	5,060	2,765	6,265	6,305	1,560	1,475	15	10	6,000	5,650	9,940	
	TF560/TS560	5,600	2,965	6,805	6,845	1,760	1,675	15	10	5,950	5,500	10,051	
	TF600/TS600	6,060	3,165	7,265	7,305	1,960	1,875	15	10	5,800	5,350	10,139	

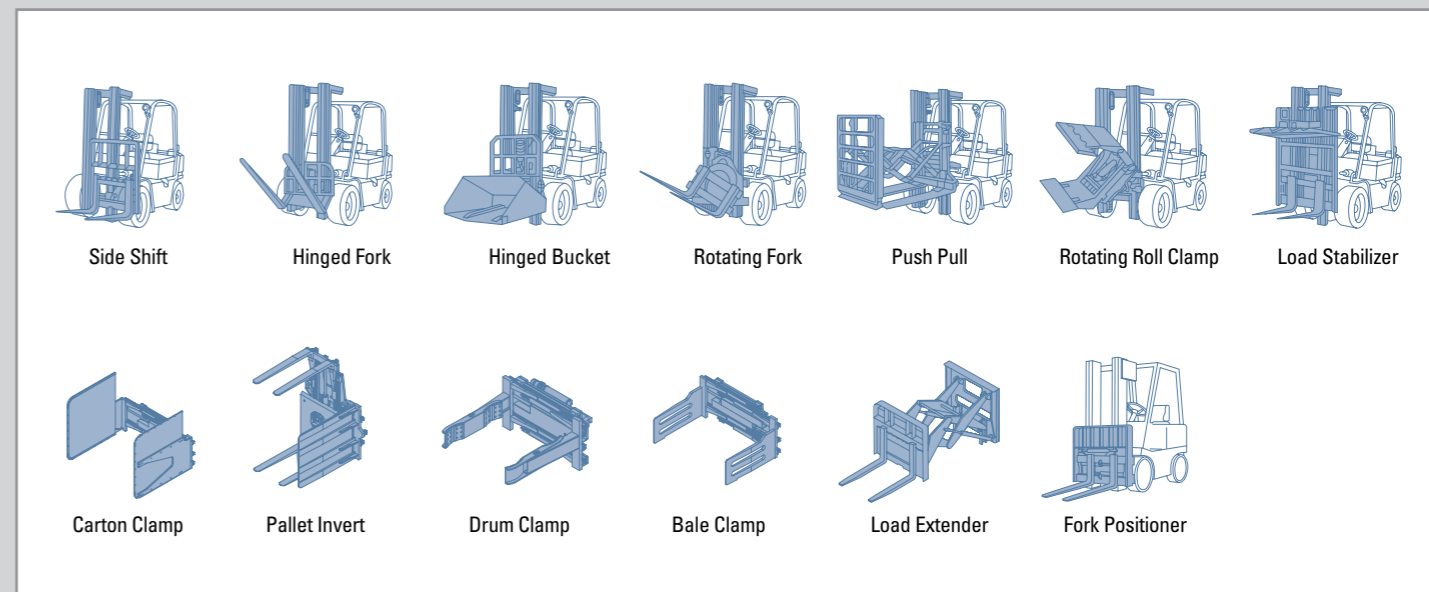
Model	Mast Type	Maximum Fork Height (mm)	Overall Height(mm)				Free Lift (mm)		Tilt Angle (deg)		Load Capacity without side shift at 600mm LC(kg)	Load Capacity with side shift at 600mm LC(kg)	Truck Weight (Unloaded)(kg)
			Lowered	Extended		Without Load Backrest	With Std Load Backrest	Fwd	Bwd				
				W/o Load Backrest	W/Std Load Backrest								
70DF-7	2 Stage limited free lift	V270	2,730	2,365	3,911	4,020	140	140	15	10	7,000	7,000	9,823
		*V300	3,030	2,515	4,211	4,320	140	140	15	10	7,000	7,000	9,871
		V330	3,330	2,665	4,511	4,620	140	140	15	10	7,000	7,000	9,918
		V350	3,530	2,765	4,711	4,820	140	140	15	10	7,000	7,000	9,950
		V370	3,730	2,865	4,911	5,020	140	140	15	10	7,000	7,000	9,982
		V400	4,030	3,015	5,211	5,320	140	140	15	10	7,000	7,000	10,038
		V450	4,530	3,315	5,711	5,820	140	140	15	10	7,000	7,000	10,266
		V500	5,030	3,565	6,211	6,320	140	140	15	10	7,000	6,850	10,345
		V550	5,530	3,815	6,711	6,820	140	140	15	10	7,000	6,650	10,425
		V600	6,030	4,065	7,211	7,320	140	140	15	10	7,000	6,500	10,503
3 Stage full free lift	TF450/TS450	4,560	2,565	5,765	5,805	1,360	1,275	15	10	7,000	6,750	10,474	
	TF500/TS500	5,060	2,765	6,265	6,305	1,560	1,475	15	10	7,000	6,600	10,566	
	TF560/TS560	5,600	2,965	6,805	6,845	1,760	1,675	15	10	6,900	6,400	10,677	
	TF600/TS600	6,060	3,165	7,265	7,305	1,960	1,875	15	10	6,700	6,200	10,765	

\*Standard

Load Capacity



Various Attachments



Optional Items

- FORK (LxWxT)(mm)
  - Hook Type
  - 50DF-7
    - 1,350 X 150 X 60 . 1,500 X 150 X 60 . 1,800 X 150 X 60
    - 2,000 X 150 X 60 . 2,400 X 150 X 60
  - 60/70DF-7
    - 1,350 X 150 X 65 . 1,500 X 150 X 65 . 1,800 X 150 X 65
    - 2,000 X 150 X 65 . 2,400 X 150 X 65
  - Shaft Type
  - 50DF-7
    - 1,350 X 150 X 60 . 1,500 X 150 X 60 . 1,800 X 150 X 60
    - 2,000 X 150 X 60 . 2,400 X 150 X 60
  - 60/70DF-7
    - 1,350 X 180 X 60 . 1,500 X 180 X 60 . 1,800 X 180 X 60
    - 2,000 X 180 X 60 . 2,400 X 180 X 60
- OVER SHOE
  - 1,800 / 2,000 / 2,200 / 2,300
- SOLID NON-MARKING
- SEAT : SEAT BELT, ARM REST, HIP REST
- INTERNAL PIPING
- CABIN & HEATER
  - CABIN, AIRCON, HEATER
- MUFFLER : HORIZONTAL
- MASTER SWITCH
- ELE.BEACON
- HAZARD SWITCH
- MCV : 3-SPOOL / 4-SPOOL / 5-SPOOL
- INTEGRAL FORK POSITIONER CARRIAGE
- INTEGRAL SIDE SHIFT CARRIAGE