



شرکت آسان راه البرز

با 40 سال تجربه در زمینه ی واردات ماشین آلات معدنی، راهسازی و صنعتی و با استفاده از مدیران خبره، کارشناسان مجرب و پرسنل با تجربه آموزش دیده از فعالترین شرکت های تجاری در ایران می باشد. این شرکت در سال 1389 موفق به اخذ نمایندگی رسمی از شرکت هیوندای کره جنوبی و نمایندگی انحصاری محصولات اوردایم برای واردات، فروش و خدمات پس از فروش ماشین آلات سنگین، راهسازی، معدنی و صنعتی در ایران گردید.

این شرکت با توجه به نیاز مشتریان و محیط های کاری موجود اقدام به واردات انواع ماشین آلات راهسازی از قبیل لودر چرخ لاستیکی، بیل هیدرولیکی چرخ لاستیکی و چرخ زنجیری و انواع لیفتراک با بازه تناژی بالا و انواع چکش های هیدرولیکی و انواع ژنراتورهای برق (دیزلی و دوگانه سوز) نموده است و هر دوره با توجه به درخواستها بر تنوع محصولات خود اضافه میکند.



EVERDIGM CRAWLER DRILL ECD 45 / ECD 45E



Crawler Drill Series

ECD Series ECD 45 / ECD 45E



ECD 45 / ECD 45E



Engine :

EVERDIGM CrawlerDrill is equipped with environment friendly Tier 3 Caterpillar engine. It also provides low fuel consumption. In addition, operator is less exposed from engine noise and vibrations due to direct connection of engine, compressor and pump. Other engine is also available by customer request.



Cabin :

Wide working view and safe and comfort operating condition are supported from new design of Cabin. Heating and air conditioning system and radio and CD player are provided as standard to make operators feel comfortable.



Track :

The track designed by excavator type gives increased durability and firm grip on working in slanted ground.



Compressor :

Large capacity air compressor with high output helps to obtain an excellent boring effect and decrease bit wear as discharging dust promptly. In addition, the anti jamming system will prevent jam in advance to keep long life time.



Engine room :

Large engine room allows easy access to Electric control box & filters.



Pre-Cleaner :

The Pre-Cleaner lengthens the life of the filter in the dust collector by primarily intercepting the large fragments toward the dust collector.



Digital Angle Gauge(Optional):

EVERDIGM drill equipped with sensor to measure an angle inclination of 2 axes during drilling operation. Operator can check horizontal and vertical position from the monitor of the cabin.



Dust collector :

With the six built-in filters, the interval and time of pulse is controllable, and therefore the dust collecting ability has been improved.



Electric Control Box :

Centralized Main Control Panel allows easy maintenance. Through the transparent MCP cover, everyone can check fuse connection simply and easily.

The advanced and optimized design of EVERDIGM hydraulic crawler drill ensures safety and comfort as well as access to key components for simple and rapid maintenance. The 4 feet (1200mm) extension boom which increases drilling coverage range and productivity significantly is available for the ECD Series model. Direct connection among power units(Engine, Compressor and Pump) and centralized control valves provide increased fuel efficiency, less power loss and easy service at the same time. In addition, large capacity air compressor and high performance drifter make ECD Series one of the most productive drills in its class.



Inside bonnet :

Large inside space allows easy access & maintenance for whole components.



Drifter :

HC150 drifter made by Montabert is most preferred drifter among professional drillers with outstanding productivity and reliability. Count on proven drifter with maximum uptime. T51 rod option comes along with RP(Reverse Percussion) section as standard.



4 Stage Pump :

Equipped with the 2 stage piston pump and the 2 stage gear pump, it has been improved the work performance with the sufficient flux. The engine, pump and compressor are connected directly to maximize power transmission.



Upper Bonnet :

Upper Bonnet is fabricated as high quality as same as both side of cover and holes on the upper bonnet allow emitting hot air inside of bonnet.



Lubricating Device :

The large-volume lubricator oil tank is adopted, and you can easily control the volume of oil which flows to the drifter.



Boom :

Equipped with the extension boom of 4 feet (1200mm) as standard, it can enlarge the working radius up to 10 degree to left side and 45 degree to right side.



Cooling System :

Radiator, Intercooler and Oil Cooler are assembled as all in one to make air flow smooth and the all in one system ensures convenient repair and maintenance. In addition, the large size fan helps to maximize cooling effect.

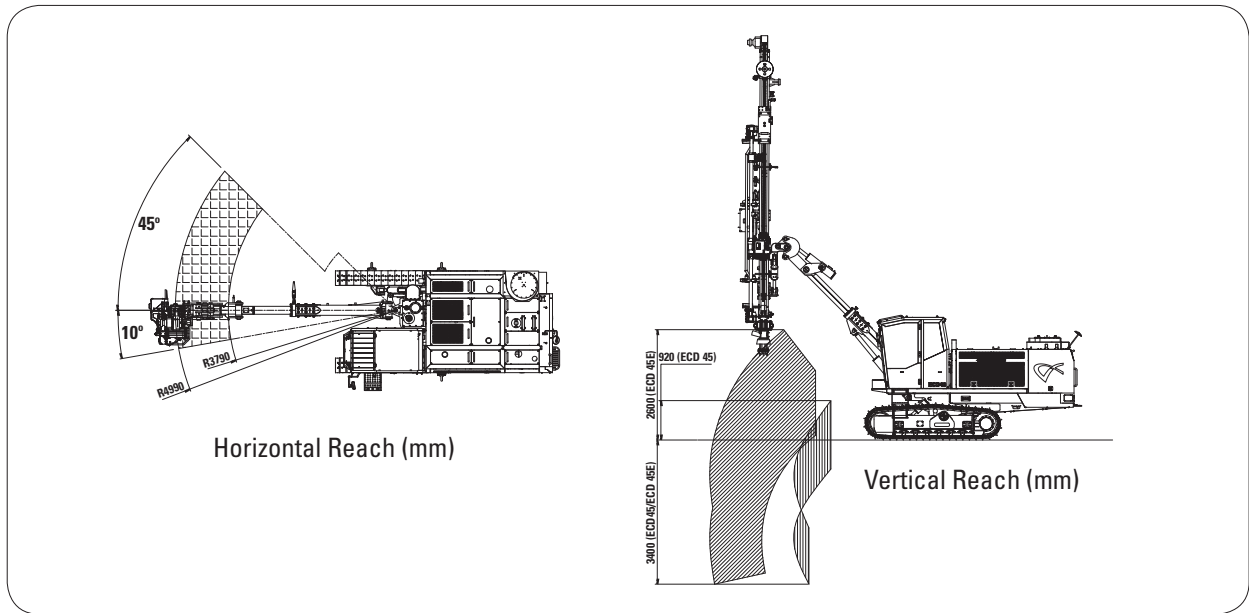


Specification

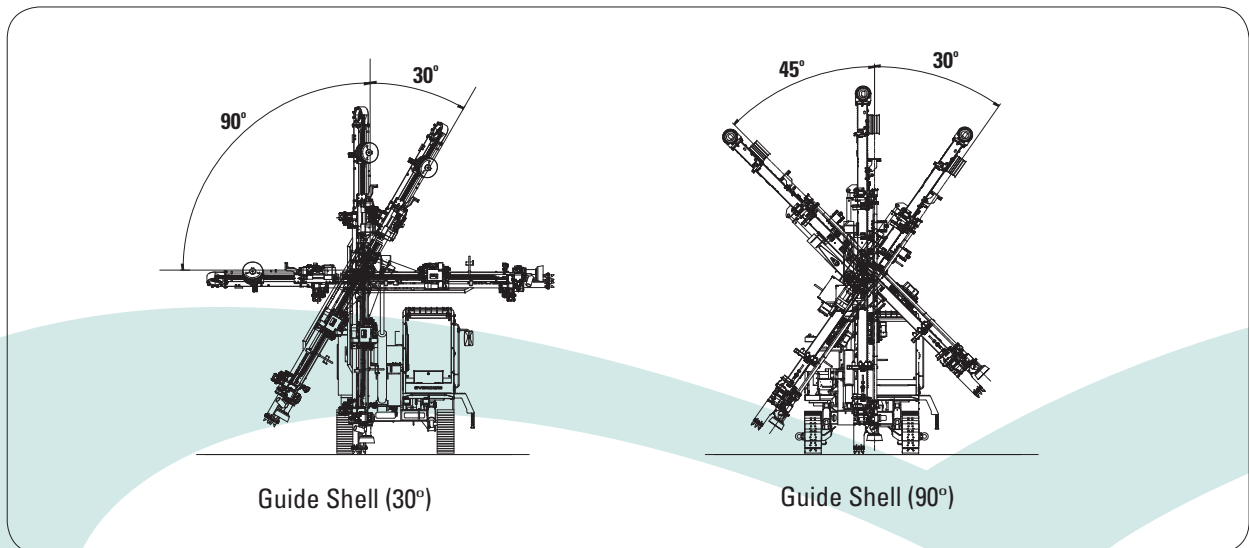
MODEL		ECD 45	ECD 45E
BIT&ROD	BIT DIAMETER	75mm-115mm (3"-4.5")	
	ROD SIZE	T51, T45(Optional)	
	ROD LENGTH	3,660mm (12')	
DIMENSIONS	WEIGHT	13,300kg (29,317 lbs)	14,000kg (30,860 lbs)
	OVERALL LENGTH	8,818mm (28.9')	9,220mm (30.2')
	OVERALL WIDTH	2,350mm (7'7")	
	OVERALL HEIGHT	2,890mm (9'5")	
DRIFTER	MODEL	HC150RP (Made by Montabert)	
	NUMBER OF BLOWS	2,500 bpm	
	NUMBER OF REVOLUTION	0-130 rpm	
	IMPACT POWER	21 kW	
TRAMMING	GROUND CLEARANCE	550mm (2')	
	OSCILLATION ANGLE	22° (F11° / R11°)	
	TRAVELLING	0 - 3.5 km/hr (0~2.2 mph)	
	GRADEABILITY	30°	
DIESEL ENGINE	MODEL	CATERPILLAR C7	*CUMMINS 6CTAA8.3C
	RATED OUTPUT	225hp (168kW) / 2,200rpm	205hp (153kW) / 2,200rpm
	FULL TANK CAPACITY	350ℓ (92gal)	350ℓ (92gal)
	EMISSIONS	TIER III	TIER II
COMPRESSOR	FREE AIR DELIVERY	8 m ³ /min (282cfm)	
	AIR PRESSURE	10.5 kg/cm ² (149psi)	
BOOM	TYPE	FIXED BOOM	EXTENSION BOOM
	LENGTH	2,100mm (6.9')	3,100mm / 4,300mm (10.2' / 14.1')
	SWING ANGLE	L 10° / R 45°	
	LIFT ANGLE	UP 45° / DOWN 25°	
GUIDE SHELL	OVERALL LENGTH	7,381mm (24.2')	
	SLIDE LENGTH	1,500mm (4.9')	
	SWING ANGLE	L 90°~R30° (Guide shell 30°) / L 45°~R30° (Guide shell 90°)	
	TILT ANGLE	UP 35° / DOWN 145°	
	FEED LENGTH	6,168mm (20'2")	
DUST COLLECTOR	SUCTION CAPACITY	24 m ³ /min (847cfm)	
	NUMBER OF FILTERS	6	
	PRE-CLEANER	STANDARD	
	EXTRACTION METHODS	AUTO AIR PULSE JET	
HYDRAULIC SYSTEM	VARIABLE DISCHARGE	AXIAL PISTON PUMP X 2	
	FIXED DISCHARGE	GEAR PUMP X 2	
ROD CHANGER	NUMBER OF RODS	5+1	
CABIN	STANDARD ACCESSORIES	AIR CONDITIONER, HEATER	

*The asterisks are optional.

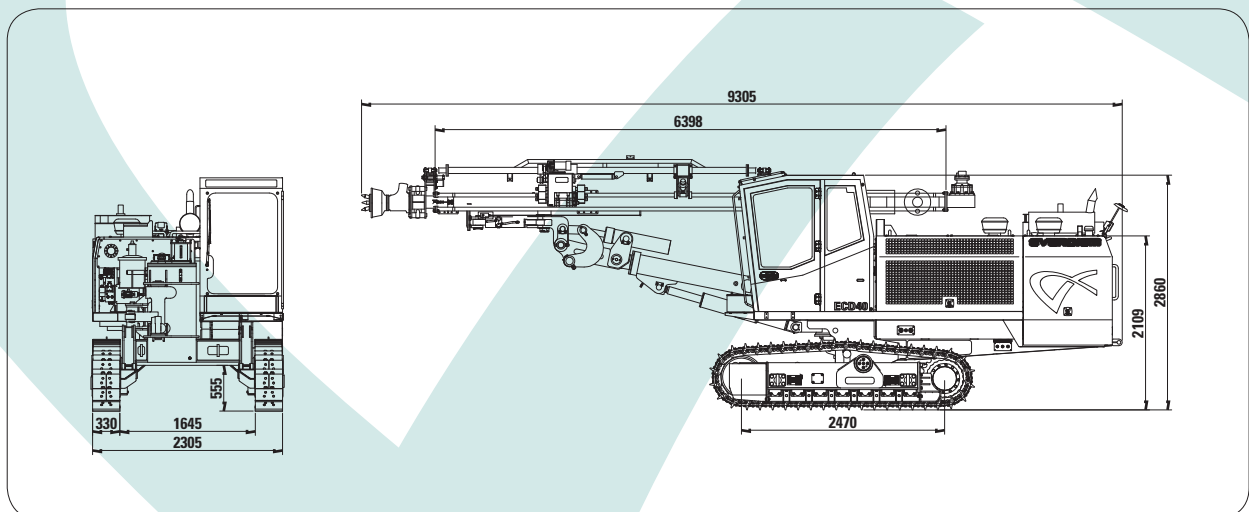
Coverage areas



Feed swing angles



Dimension (mm)



Crawler Drill

www.everdigm.com



*Specifications contained in the catalogue may be changed without prior notice for improvement of quality and performance.

Vol.05 ECDE1210-10 5. Oct. 2012

© EVERDIGM Corp. Printed in Korea

Distributed by

Head Office & Factory

332-3, Janggwan-ri, Jincheon-eub, Chungcheongbuk-do, Korea
Tel_+82-43-530-3300 Fax_+82-530-3429

Sales & Marketing Office

#1203, Woolim Lion's Valley 2, 680, Gasan-Dong, Geumcheon-Gu, Seoul, Korea
Tel_+82-2-801-0800 Fax_+82-2-801-0899

www.everdigm.com
everdigm@everdigm.com

